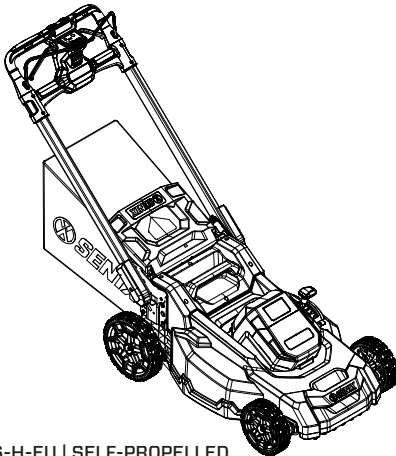
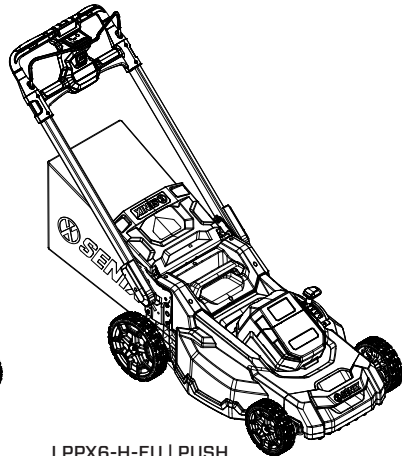




CORDLESS LAWN MOWER



LPSX6-H-EU | SELF-PROPELLED



LPPX6-H-EU | PUSH

CAUTION: Before using this tool, please read this manual completely, and follow all operating safety measures.

- SAFETY
- ASSEMBLY
- OPERATION
- MAINTENANCE

Senix Australia Pty Ltd. 32/3 Westside Avenue, #Port Melbourne, Victoria, 3207
For customer support, please call **1300 461 825** or email us at info@senixtool.com

TABLE OF CONTENTS

SAFETY & INTERNATIONAL SYMBOLS.....2
 SAFETY INSTRUCTIONS.....3
 KNOW YOUR UNIT.....6
 SPECIFICATIONS*.....8
 ASSEMBLY.....9
 OPERATION.....11
 MAINTENANCE.....15
 TROUBLESHOOTING.....20

SAFETY & INTERNATIONAL SYMBOLS

Explanation of Safety & international symbols describes safety and international symbols and pictographs that may appear on this product. Read the operator's manual for complete safety, assembly, operating and maintenance and repair information.



Caution / Warning.



WARNING - To reduce the risk of injury, user must read instruction manual.



Wear eye protection.



Wear a dust mask.



Wear safety footwear.



Wear protective gloves.



Do not expose the product to rain or wet conditions.



Keep bystanders and children a safe distance away.



DANGER! Rotating blades. Keep hands and feet away.



Slip on slope hazard - Use extra caution when mowing on slopes to prevent slip and fall accidents.



Thrown objects and rotating blade can cause severe injury.



Look behind when backing up with the lawn mower.



WARNING - Disconnect battery before maintenance.



WARNING - Remove the disabling device before maintenance.



Blades continue to rotate after machine is switched off.



Class II equipment (Charger)



Guaranteed sound power level



RCM Mark



Power tools that are no longer usable and defective or used battery packs/batteries, must be collected separately and disposed of in an environmentally correct manner.

SAFETY INSTRUCTIONS

ORIGINAL INSTRUCTIONS

GENERAL LAWNMOWER SAFETY WARNINGS



WARNING!

Read all safety warnings, instructions, illustrations and specifications, provided with this power tool. Failure to follow all instructions listed below may result in electric shock, fire and/or serious injury.

Save all warnings and instructions for future reference.

The term «power tool» in the warnings refers to your mains-operated (corded) power tool or battery-operated (cordless) power tool.

1) Work Area Safety

- a. **Keep work area clean and well lit.** *Cluttered or dark areas invite accidents.*
- b. **Do not operate power tools in explosive atmospheres, such as in the presence of flammable liquids, gases or dust.** *Power tools create sparks which may ignite the dust or fumes.*
- c. **Keep children and bystanders away while operating a power tool.** *Distractions can cause you to lose control.*

2) Electrical Safety

- a. **Power tool plugs must match the outlet. Never modify the plug in any way. Do not use any adapter plugs with earthed (grounded) power tools.** *Unmodified plugs and matching outlets will reduce risk of electric shock.*
- b. **Avoid body contact with earthed or grounded surfaces, such as pipes, radiators, ranges and refrigerators.** *There is an increased risk of electric shock if your body is earthed or grounded.*
- c. **Do not expose power tools to rain or wet conditions.** *Water entering a power tool will increase the risk of electric shock.*
- d. **Do not abuse the cord. Never use the cord for carrying, pulling or unplugging the power tool. Keep cord away from heat, oil, sharp edges or moving parts.** *Damaged or entangled cords increase the risk of electric shock.*

- e. **When operating a power tool outdoors, use an extension cord suitable for outdoor use.** *Use of a cord suitable for outdoor use reduces the risk of electric shock.*
- f. **If operating a power tool in a damp location is unavoidable, use a residual current device (RCD) protected supply.** *Use of an RCD reduces the risk of electric shock.*

3) Personal Safety

- a. **Stay alert, watch what you are doing and use common sense when operating a power tool. Do not use a power tool while you are tired or under the influence of drugs, alcohol or medication.** *A moment of inattention while operating power tools may result in serious personal injury.*
- b. **Use personal protective equipment. Always wear eye protection.** *Protective equipment such as a dust mask, non-skid safety shoes, hard hat or hearing protection used for appropriate conditions will reduce personal injuries.*
- c. **Prevent unintentional starting. Ensure the switch is in the off-position before connecting to power source and/or battery pack, picking up or carrying the tool.** *Carrying power tools with your finger on the switch or energising power tools that have the switch on invites accidents.*
- d. **Remove any adjusting key or wrench before turning the power tool on.** *A wrench or a key left attached to a rotating part of the power tool may result in personal injury.*
- e. **Do not overreach. Keep proper footing and balance at all times.** *This enables better control of the power tool in unexpected situations.*
- f. **Dress properly. Do not wear loose clothing or jewellery. Keep your hair and clothing away from moving parts.** *Loose clothes, jewellery or long hair can be caught in moving parts.*
- g. **If devices are provided for the connection of dust extraction and collection facilities, ensure these are connected and properly used.** *Use of dust collection can reduce dust-related hazards.*
- h. **Do not let familiarity gained from frequent use of tools allow you to become complacent and ignore tool safety principles.** *A careless action can cause severe injury within a fraction of a second.*

4) Power Tool Use And Care

- a. **Do not force the power tool. Use the correct power tool for your application.** *The correct power tool will do the job*

better and safer at the rate for which it was designed.

- b. **Do not use the power tool if the switch does not turn it on and off.** *Any power tool that cannot be controlled with the switch is dangerous and must be repaired.*
- c. **Disconnect the plug from the power source and/or remove the battery pack, if detachable, from the power tool before making any adjustments, changing accessories, or storing power tools.** *Such preventive safety measures reduce the risk of starting the power tool accidentally.*
- d. **Store idle power tools out of the reach of children and do not allow persons unfamiliar with the power tool or these instructions to operate the power tool.** *Power tools are dangerous in the hands of untrained users.*
- e. **Maintain power tools and accessories. Check for misalignment or binding of moving parts, breakage of parts and any other condition that may affect the power tool's operation. If damaged, have the power tool repaired before use.** *Many accidents are caused by poorly maintained power tools.*
- f. **Keep cutting tools sharp and clean.** *Properly maintained cutting tools with sharp cutting edges are less likely to bind and are easier to control.*
- g. **Use the power tool, accessories and tool bits etc. in accordance with these instructions, taking into account the working conditions and the work to be performed.** *Use of the power tool for operations different from those intended could result in a hazardous situation.*
- h. **Keep handles and grasping surfaces dry, clean and free from oil and grease.** *Slippery handles and grasping surfaces do not allow for safe handling and control of the tool in unexpected situations.*

5) Battery Tool Use And Care

- a. **Recharge only with the charger specified by the manufacturer.** *A charger that is suitable for one type of battery pack may create a risk of fire when used with another battery pack.*
- b. **Use power tools only with specifically designated battery packs.** *Use of any other battery packs may create a risk of injury and fire.*
- c. **When battery pack is not in use, keep it away from other metal objects, like paper clips, coins, keys, nails, screws or other small metal objects, that can make a connection from one terminal to another.**

Shorting the battery terminals together may cause burns or a fire.

- d. **Under abusive conditions, liquid may be ejected from the battery; avoid contact. If contact accidentally occurs, flush with water. If liquid contacts eyes, additionally seek medical help.** *Liquid ejected from the battery may cause irritation or burns.*
- e. **Do not use a battery pack or tool that is damaged or modified.** *Damaged or modified batteries may exhibit unpredictable behaviour resulting in fire, explosion or risk of injury*
- f. **Do not expose a battery pack or tool to fire or excessive temperature.** *Exposure to fire or temperature above 130°C may cause explosion.*
- g. **Follow all charging instructions and do not charge the battery pack or tool outside the temperature range specified in the instructions.** *Charging improperly or at temperatures outside the specified range may damage the battery and increase the risk of fire.*



WARNING!

Use only SENIX X6 batteries (B30x6, B40x6, B60x6, B80x6 and B120x6) and chargers (CHX6-L-EU, CHQX6-EU, CHQX6-M-EU and CHDX6-M-EU).

6) Service

- a. **Have your power tool serviced by a qualified repair person using only identical replacement parts.** *This will ensure that the safety of the power tool is maintained.*
- b. **Never service damaged battery packs.** *Service of battery packs should only be performed by the manufacturer or authorized service providers.*

LAWNMOWER SAFETY WARNINGS

- a. Do not use the lawnmower in bad weather conditions, especially when there is a risk of lightning. *This decreases the risk of being struck by lightning.*
- b. Thoroughly inspect the area for wildlife where the lawnmower is to be used. *Wildlife may be injured by the lawnmower during operation.*
- c. Thoroughly inspect the area where the lawnmower is to be used and remove all stones, sticks, wires, bones, and other

- foreign objects. *Thrown objects can cause personal injury.*
- d. Before using the lawnmower, always visually inspect to see that the blade and the blade assembly are not worn or damaged. *Worn or damaged parts increase the risk of injury.*
 - e. Check the grass catcher frequently for wear or deterioration. *A worn or damaged grass catcher may increase the risk of personal injury.*
 - f. Keep guards in place. Guards must be in working order and be properly mounted. *A guard that is loose, damaged, or is not functioning correctly may result in personal injury.*
 - g. Keep all cooling air inlets clear of debris. *Blocked air inlets and debris may result in overheating or risk of fire.*
 - h. While operating the lawnmower, always wear non-slip and protective footwear. *Do not operate the lawnmower when barefoot or wearing open sandals. This reduces the chance of injury to the feet from contact with the moving blade.*
 - i. While operating the lawnmower, always wear long trousers. *Exposed skin increases the likelihood of injury from thrown objects.*
 - j. Do not operate the lawnmower in wet grass. Walk, never run. *This reduces the risk of slipping and falling which may result in personal injury.*
 - k. Do not operate the lawnmower on excessively steep slopes. *This reduces the risk of loss of control, slipping and falling which may result in personal injury.*
 - l. When working on slopes, always be sure of your footing, always work across the face of slopes, never up or down and exercise extreme caution when changing direction. *This reduces the risk of loss of control, slipping and falling which may result in personal injury.*
 - m. Use extreme caution when reversing or pulling the lawnmower towards you. *Always be aware of your surroundings. This reduces the risk of tripping during operation.*
 - n. Do not touch blades and other hazardous moving parts while they are still in motion. *This reduces the risk of injury from moving parts.*
 - o. When clearing jammed material or cleaning the lawnmower, make sure all power switches are off and the battery has been removed. *Unexpected operation of the lawnmower may result in serious personal injury.*
 - p. Use Right Appliance – *Do not use lawn mower for any job except that for which it is intended.*
 - q. Maintain Lawn Mower With Care – Keep cutting edges sharp and clean for best and safest performance. *Follow instructions for lubricating and changing accessories.*
 - r. Keep blades sharp.
 - s. Keep hands and feet away from cutting area.
 - t. Objects struck by the lawn mower blade can cause severe injuries to persons. The lawn should always be carefully examined and cleared of all objects prior to each mowing.
 - u. If lawn mower strikes a foreign object, follow these steps:
 - I) Stop lawn mower. Release the switch.
 - II) Unplug power cord.
 - III) Inspect for damage.
 - IV) Repair any damage before restarting and operating the lawn mower.
 - V) Use identical replacement blades only.

SAVE THESE INSTRUCTIONS

INTENDED USE

This lawn mower is only intended for cutting grass in domestic use. Do not use it for other purpose.

KNOW YOUR UNIT

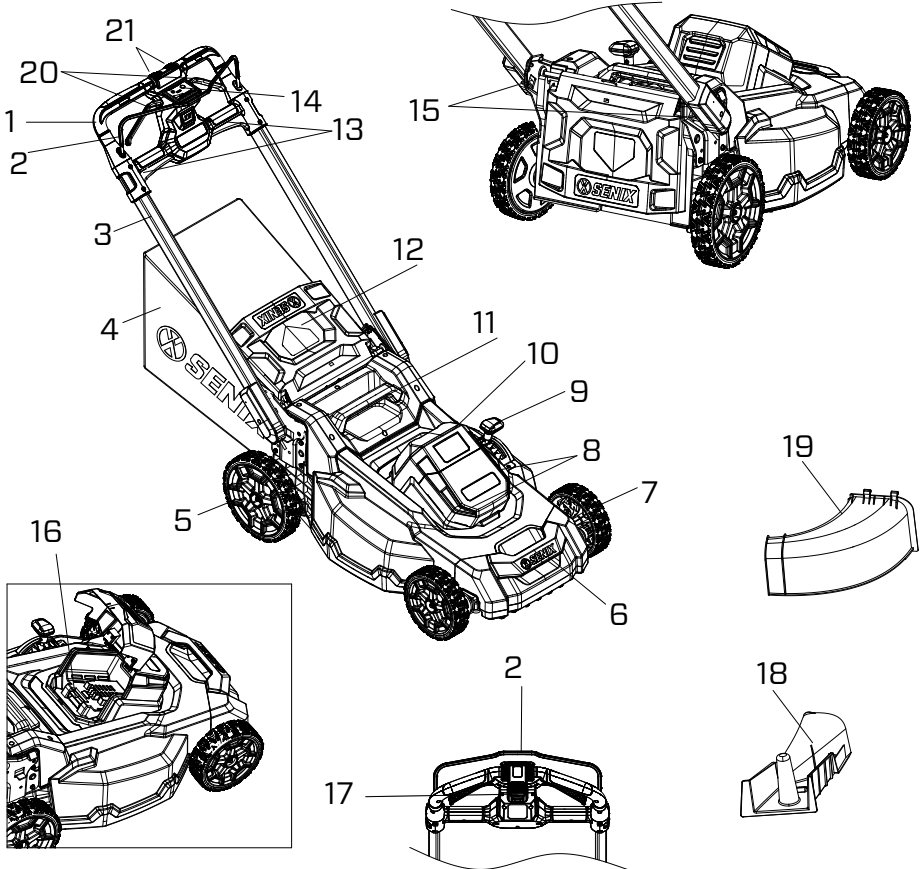
APPLICATIONS

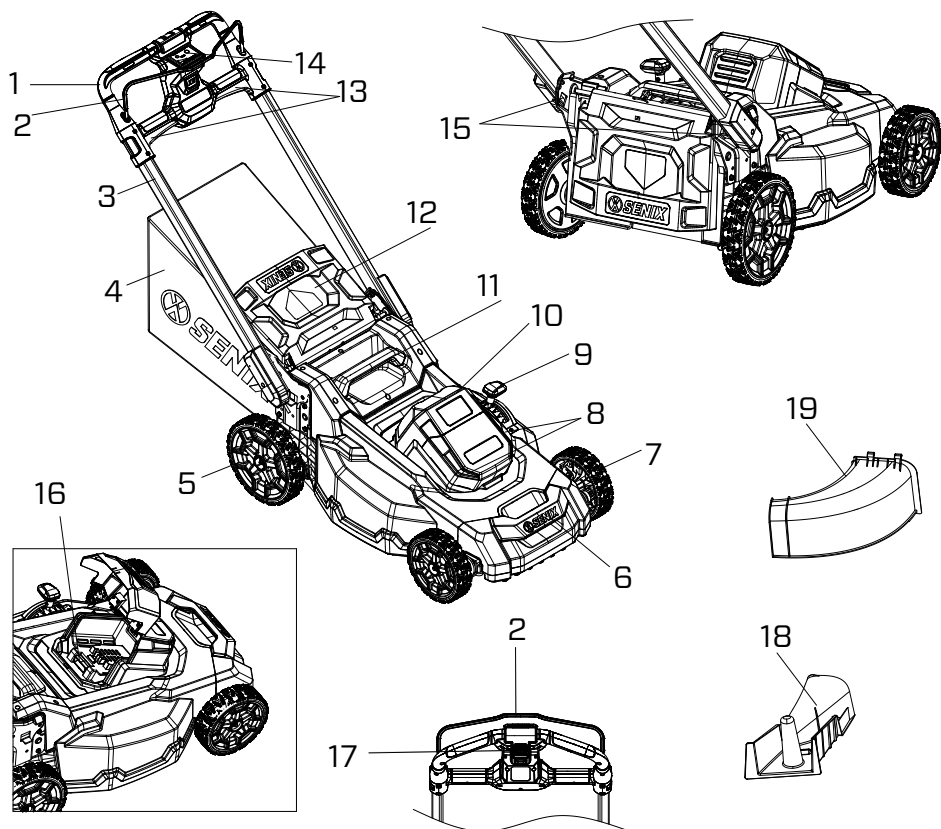
Model: LPSX6-H-EU/LPPX6-H-EU

As a cordless lawn mower:

Cutting grass in domestic use.

LPSX6-H-EU





1	Handle
2	Bail Switch
3	Side Rail
4	Grass Bag
5	Rear Wheel
6	Front Handle
7	Front Wheel
8	LED Headlight
9	Cutting-Height Adjustment Lever
10	Battery Cover
11	Rear Handle

12	Rear Discharge Door
13	Single Point Handle Folding Trigger
14	Control Panel
15	Support for Upright Storage
16	Battery-Release Button
17	Safety Button
18	Mulching Insert
19	Side Discharge Chute
20	Self-Propel Trigger
21	Self-Propel Speed-Control Knob

SPECIFICATIONS*

Model	LPSX6-H-EU	LPPX6-H-EU
Input Voltage	56 V \equiv (60 V Max*)	
Motor Type	1 200 W Brushless	
No Load Speed	Three settings: 0 - 2 600 / 2 800 / 3 000 RPM MAX*	
Mowing Functions	3-in-1 (Mulch, bag and side discharge)	
Degree of protection against liquids	IPX4	
Cutting Capacity	True 53 cm blade length	
Height Adjustment	40-100 mm, 7-position	
Wheel Size (Front/Rear)	20 cm/ 25 cm	
Drive Type	Variable Speed Rear Wheel Drive Self-propelled	Push
Collection Bag	60 L	
Vibration level of left handle	1.005 m/s ²	
Vibration level of right handle	1.261 m/s ²	
Measurement Uncertainty K	K=1.5 m/s ²	
Sound pressure value L _{PA}	87 (K=3 dB(A))	
Sound power value L _{WA}	91 (K=3 dB(A))	
Recommended Operating Temperature	0°C - 40°C	
Recommended Storage Temperature	-20°C - 70°C	
Weight (tool only)	27.2 kg	25 kg

*60V Max battery, maximum initial battery voltage (measured without a workload) is 60V. The nominal voltage is 56V.

ASSEMBLY

1. Unpack all parts and lay them on a flat, stable surface:
2. Remove all packing materials and shipping devices, if applicable.
3. The scope of delivery varies depending on the country and purchased variant.

Model of LPSX6-H-EU/LPPX6-H-EU

- Lawn mower x1
- Mulching insert x1
- Side Discharge Chute x1
- Grass Bag x1
- Grass-Bag Frame x1
- Instruction manual x1

4. If you find that parts are missing or show damage do not use the product but contact your dealer. Using an incomplete or damaged product represents a hazard to people and property.
5. Ensure that you have all the accessories and tools needed for assembly and operation. This also includes suitable personal protective equipment.



WARNING!



Wear protective gloves for this assembly work and always lay the product on a flat and stable surface while assembling.



Follow the assembly instructions step-by-step and use the pictures provided as a visual guide to easily assemble the product!

Do not insert the battery pack before the power tool is completely assembled or adjusted!



WARNING!

To prevent accidental starting that could cause serious personal injury, always remove the battery pack from the machine when assembling parts.



WARNING!

Do not attempt to modify this tool or create accessories not recommended for use with this mower. Any such alteration or modification is misuse and could result in a hazardous condition leading to serious injury. The use of other accessory or attachment might increase the risk of injury.



WARNING!

Do not at any time make any adjustment to the lawn mower without first stopping the motor, removing the battery pack, and waiting until the blade has stopped rotating.

ASSEMBLING THE GRASS BAG

1. Check the grass bag before assembling, to make sure that there is no damage.
2. Slide the grass bag onto the frame.

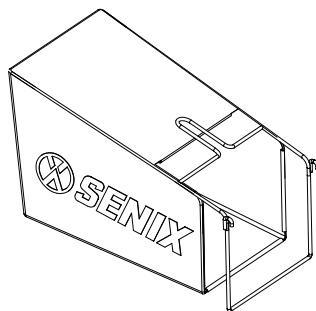


Fig. 1

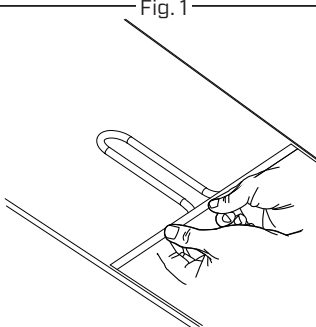


Fig. 2

3. To completely assemble grass bag, assemble the top clips to the frame firstly and then assemble the two side clips and the bottom clip last.

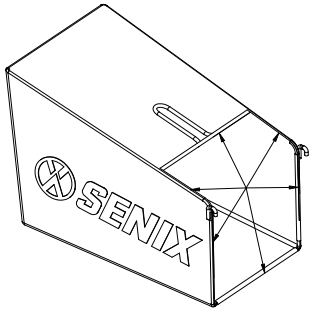


Fig. 3

INSTALLING/REMOVING THE GRASS BAG

1. Lift the rear-discharge door. Hook the grass bag assembly on the pivot rod. Release the discharge door so that it rests on the grass bag.

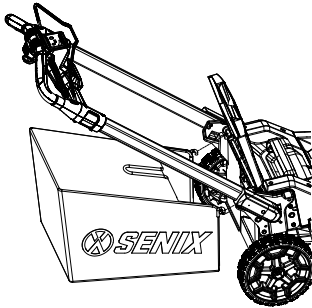


Fig. 4

2. To remove the grass bag, lift the rear discharge door on the mower. Lift the grass bag up and off of the pivot rod. Release the discharge door.



WARNING!

When using the grass bag, never operate the mower unless the hooks on the grass bag is firmly seated on the pivot rod and the rear-discharge door rests firmly against the top of the grass bag.



WARNING!

To reduce the risk of injury, frequently inspect the bag assembly and replace the bag if there are any signs of wear or deterioration. Use only grass bags manufactured for this mower.

INSTALLING/REMOVING THE MULCHING INSERT

1. Lift the rear-discharge door. Grasp the handle of the mulching insert and fully insert it into the mower, so that it is securely seated. Release the discharge door and make sure it rests firmly against the mulching insert.

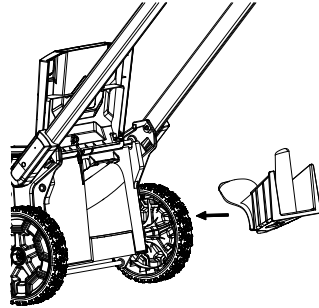


Fig. 5

2. To remove the mulching insert, lift the rear-discharge door, grasp the handle of the mulching insert, and pull it out. Release the discharge door.



NOTE:

The mulching insert must be removed in order to install and use the grass bag and must be re-installed when the grass bag is removed.

INSTALLING/REMOVING THE SIDE DISCHARGE CHUTE

1. Lift the rear-discharge door. Hook the side-discharge chute on the pivot rod. Release the discharge door so that it rests on the discharge chute.

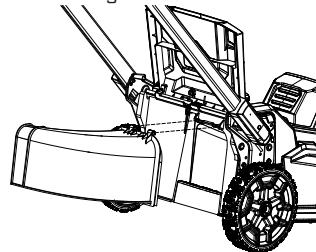


Fig. 6

- To remove the side-discharge chute, lift the rear-discharge door. Lift the grass bag up and off of the pivot rod. Release the discharge door.

OPERATION



WARNING!

The safe use of this product requires an understanding of the information on the machine and in this operator's manual, as well as knowledge of the project you are attempting. Before use of this product, familiarize yourself with all operating features and safety rules.

ADJUSTING THE FOLDED HANDLE



WARNING!

Do not attempt to start the mower until the handle has been locked at one of the two preset operating positions.

- LOCKED STORAGE POSITION:** Your mower is shipped with the handle in the compact, locked position.

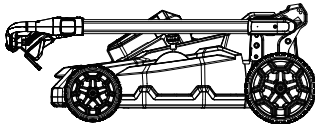


Fig. 7

- UPPER OPERATING POSITION:** Press and hold the handle folding trigger to release the handle from the locked storage position. Begin to lift the handle from its folded position. Gently pivot the handle backward until you hear and feel the lock pin engage in the Upper Operating Position. Taller users may prefer this position.
- LOWER OPERATING POSITION:** Press and hold the quick adjustment to release the handle from the upper operating position. Begin to lower the handle and gently pivot the handle downward until you hear and feel the lock pin engage in the Lower Operating Position.

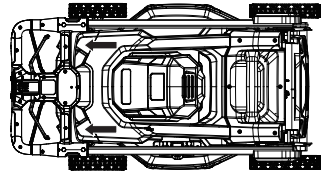


Fig. 8

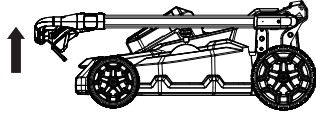


Fig. 9

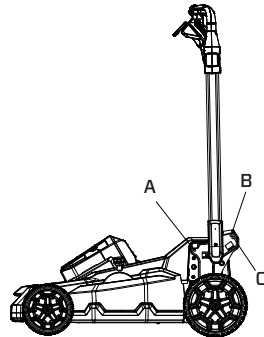


Fig. 10

A	Locked storage position
B	Upper operating position
C	Lower operating position

INSTALLING/REMOVING THE BATTERY PACK



WARNING!

If any parts are broken or missing, do not attempt to attach the battery pack to the mower or operate the mower until the broken or missing parts are replaced. Failure to do so could result in serious injury.



WARNING!

Charge the battery pack before first use.

1. Raise the battery cover by lifting the front of the cover.
2. Align the grooves in the battery pack with the raised ribs in the battery compartment and then insert the battery pack into the compartment until you hear a "click".
3. To detach the battery pack, depress the battery-release button to release the battery pack, and then lift it out of the compartment.
4. Close the battery cover.

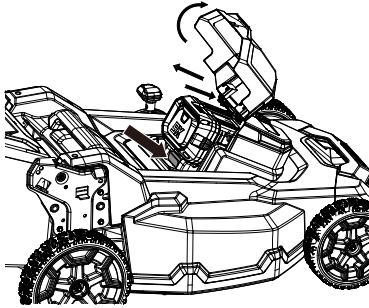


Fig. 11

i **NOTE:**

Refer to the manuals for the charger and the battery pack for more details about how to charge the battery pack and other information.

STARTING/STOPPING THE LAWN MOWER

Before operating, make sure the handle is locked into the upper or lower position and the battery pack is attached to the machine securely.

! **WARNING!**

The operation of any lawn mower can result in foreign objects being thrown into your or others' eyes, which can damage eyes severely. Always wear safety glasses while operating the mower or while performing any adjustments or repairs on the mower.

i **NOTE:**

The blade will continue to rotate for a few seconds after the mower is turned off. Allow the motor/blade to stop rotating before starting it again. Do not rapidly turn the mower off and on.

To start:

Close the bail fully. Press the safety button and the machine is started. Once the machine powers on, release the safety button and begin operation.

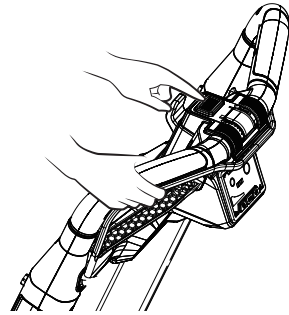


Fig. 12

i **NOTE:**

To start the machine, you can also press the safety button first and then close the bail fully.

To stop:

Fully release the bail to stop it.

i **NOTE:**

Do not tilt the machine when switching on the motor, except if the machine has to be tilted for starting. In this case, the operator is not allowed to tilt it more than absolutely necessary and the operator should lift only the part which is away from the operator.

CUTTING-HEIGHT ADJUSTMENT

! **WARNING!**

Do not at any time make any adjustment to the lawn mower without releasing the bail and allowing the motor to come to a stop, removing the battery pack, and waiting until the blade has stopped rotating.

! **WARNING!**

Keep your feet away from the deck when adjusting its height.

The mower can be set to 7 cutting heights between 40 mm and 100 mm. Choose the proper cutting height according to the type and condition of the grass to be cut.

1. Use one hand hold the side rails for stability and use the other hand to move the cutting-height adjustment lever outwards from the slots in the cutting-height indication plate.
2. Move the cutting-height adjustment lever forward or backward to adjust the cutting height.
3. Once arriving at the desired cutting-height position, engage the cutting-height adjustment lever back into the slot.

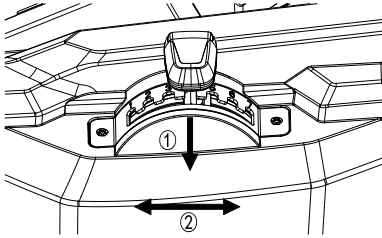


Fig. 13

VARIABLE-SPEED SELF-PROPEL SYSTEM (ONLY FOR LPSX6-H-EU)

LPSX6-H mower is equipped with variable-speed, self-propel capability. Rotate the self-propel speed-control knob up or down to adjust the speed.

This system is independent of the blade On-Off switch; it is not dependent on blade rotation. For example, when you have completed cutting your lawn, you can use the self-propel to propel the mower back to your storage location without blade rotation. Or you may choose to operate the mower as a non-selfpropelled mower to maximize battery running time.

To operate the self-propel system without blade rotation, pull the self-propel trigger upward to meet the handle and grasp it. To turn the self-propel off, release the self-propel trigger.

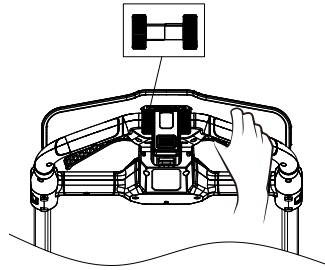


Fig. 14

Using self-propel system with the blades rotating

1. Close the bail on the handleset.
2. With the bail closed, press the safety button to start the machine. When the blade is rotating, release the safety button. Hold the bail against the handle with the either of your hands. Press the self-propel trigger.
3. With one hand holding both the bail and the self-propel trigger against the handle, use the other hand to adjust the self-propel speed-control knob to choose the desired speed.

LED HEADLIGHTS

The LED headlights are located on the front of the battery compartment.

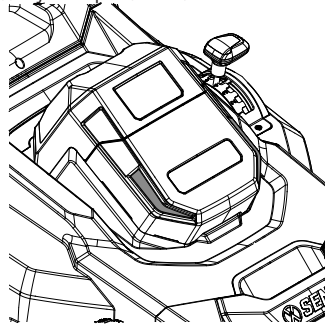


Fig.15

To turn on the lights, press the light button on the control panel. The LED headlights provide bright light in front of the mower. To turn off the lights, press the light button again. If you directly turn off the power without pressing the light button, the headlights will keep lighting for 1 minutes before going out.

CONTROL PANEL

Battery Level Indicator:

The "battery level indicator" will keep lighting after the lawn mower is switched on and go out after the lawn mower is switched off. Restart the mower to activate the power display again.

Light On/Off Switch:

Press the "light on/off switch" button to turn on/off the LED light on the front of the mower.

Blade Cutting "MODE" Selector Button:

- When the lawn mower is switched on, the "NORMAL" LED display will light up blue, showing that the mower is cutting at normal speed.
- Press the "MODE" button, the "NORMAL" LED display will go out and the "ECO" display will light up green, showing that the mower is cutting at energy-saving mode.
- Press the "MODE" button again, the "ECO" display will go out and the "TURBO" display will light up yellow, showing that the mower is cutting at high speed.
- Press the "MODE" button to switch the "NORMAL", "ECO" and the "TURBO" mode sequentially.

Self-propel Button (Only for LPSX6-H-EU):

Press the self-propel button to turn on/off the self-propel mode.

LPSX6-H-EU

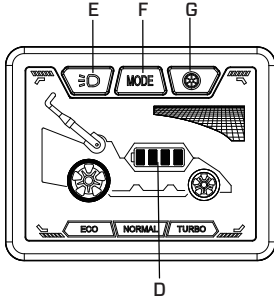


Fig. 16

LPPX6-H-EU

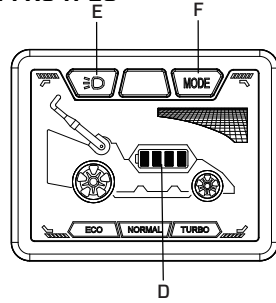


Fig. 17

D	Battery Level Indicator
E	Light On/Off Switch
F	Blade Cutting MODE Selector
G	Self-propel Button

MOWER OVERLOAD PROTECTION

To prevent overload conditions, do not try to remove too much grass at one time. Slow down your cutting pace or raise the cut height. Your mower has built-in overload circuit protection. When the mower is overloaded, the motor will stop. Remove the battery pack from the mower. Check to see if grass has collected beneath the deck and clear it if necessary, then install the battery and restart the mower.

MOWING TIPS



NOTE:

A sharp blade will greatly enhance the performance of the mower, especially when cutting tall grass. Make sure to check the sharpness of the blade before mowing.

Verify that the lawn is free of stones, sticks, wires, and other objects which could damage the lawn mower or motor. Such objects could be accidentally thrown by the mower in any direction and could cause serious personal injury to the operator and to others.



WARNING!

If you strike a foreign object, stop the motor and remove the battery. Thoroughly inspect the mower for any damage, and repair the damage before restarting and operating the mower. Excessive vibration of the mower during operation is an indication of damage. The unit should be promptly inspected and repaired.

- For best results, do not mow in circles. Travel back and forth across the lawn.
- When cutting thick grass, reduce your walking speed in order to allow for a more effective cut and a proper discharge of the clippings.
- To maintain a healthy lawn, cut off only one-third or less of the total length of the grass.

MULCHING TIPS



WARNING!

Inspect the area where the mower is to be used and remove all stones, sticks, wire and other debris that might be thrown by the rotating blade.

- Release the bail to turn off the mower blade rotation when crossing any graveled areas; stones can be thrown by a rotating blade.
- Set the mower to the highest cutting height when mowing on uneven ground or in tall growth.
- For effective mulching, do not cut wet grass; it tends to stick to the underside of the deck, preventing the proper mulching of grass clippings. The best time to mow grass is in the late afternoon, when the grass is dry and the newly cut area will not be exposed to direct sunlight.
- For the best mulching performance, set the cutting height to remove approximately one third of the grass blade length, ideally no more than 38.1 mm at one time. If the grass is overgrown, it may be necessary to increase the cut height to make it easier to mow and to prevent overloading the motor. Slow your cutting pace in tall or thick grass conditions. For mulching extremely thick or tall grass, it is advisable to first cut at a high cut-height

setting, and then re-cut to the final cut height. Otherwise, make narrower cuts and mow slowly. ALWAYS MAKE SURE THAT THE BLADE IS SHARP.



NOTE:

Always remove the battery pack when inspecting the blade.

MAINTENANCE



WARNING!

Always switch the product off, remove the battery pack and let the product cool down before performing cleaning and maintenance work!



WARNING!

Only perform cleaning and maintenance work according to these instructions! All further works must be performed by a qualified specialist! And only use specified spare parts for replacement.



WARNING!

When servicing, use only identical replacement parts. Use of any other parts may create a hazard or cause product damage. To ensure safety and reliability, all repairs should be performed by a qualified service technician.

In these following situations, stop the machine and remove the battery packs from the machine to make sure that all moving parts have come to a complete stop:

- after striking a foreign object, and to inspect the machine for damage and make repairs before restarting and operating the machine;
- if the machine starts to vibrate abnormally, and then to immediately inspect for damage, replace or repair any damaged parts and to check for and tighten any loose parts.

REPLACING THE BLADE



WARNING!

Always protect your hands by wearing heavy gloves or wrapping the cutting edges with rags or other materials when performing any maintenance on the mower blade. Always

remove the battery pack when servicing or transporting the mower.

To remove the blade (Model: A022072):

1. Switch off the product and remove the battery pack from the mower.
2. Turn the mower on its side to expose the underside of the blade housing.
3. Wedge a block of wood between the blade and mower deck to prevent the blade from turning.
4. Use a 14 mm wrench (impact wrench is recommended) to turn the blade bolt counterclockwise to loosen and remove the bolt.
5. Remove the bolt, the washer and the blade in turn.

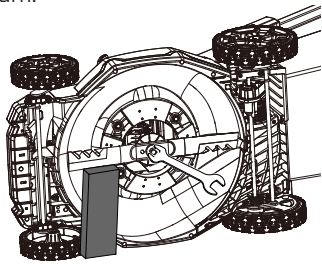


Fig. 18

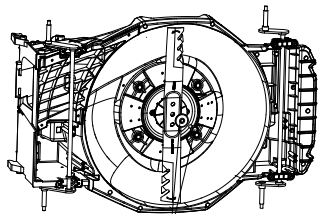


Fig. 19

To install the blade:

1. Wear protective gloves.
2. Replace the old blade with a new one and put the new blade on the fan.
3. Wedge a block of wood between the blade and mower deck to prevent the blade from turning.
4. Use a 14 mm wrench (impact wrench is recommended) to turn the blade bolt clockwise to tighten the bolt.



WARNING!

To avoid personal injury, it's recommended to keep the tightening torque value of the blade bolt between 40 Nm and 50 Nm.

REPLACING THE WHEELS



WARNING!

Wear protective gloves before replacing the wheels.

Replace the front wheel (Model: A022073):

- Turn the mower on its side with the upper surface against a wall.
- Use a 13 mm wrench to turn the nut counterclockwise to loose it. Remove the nut and the worn wheel from the wheel axle.
- Replace the worn wheel with a new one. Mount the new wheel and the nut on the wheel axle.
- Lock the new wheel by tightening the nut clockwise.

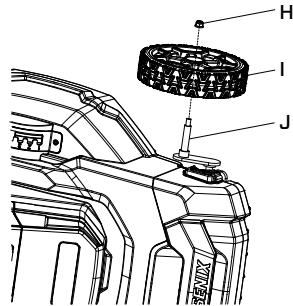


Fig. 20

Replace the rear wheel:

1. For LPSX6-H-EU (Model: A022073):
 - Use a 13 mm wrench to turn the nut counterclockwise to loose it. Remove the nut and the wheel with the drive gear from the wheel axle.
 - Disassemble the drive gear from the worn wheel by removing the five screws.
 - Replace the worn wheel with a new one. Assemble the drive gear to the new wheel with the five screws.
 - Mount the new wheel with the drive gear and the nut on the wheel axle.
 - Lock the new wheel by tightening the nut clockwise.

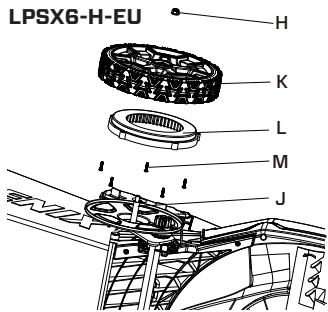


Fig. 21

2. For LPPX6-H-EU (Model: A022072):

- Use a 13 mm wrench to turn the nut counterclockwise to loose it. Remove the nut and the worn wheel from the wheel axle.
- Replace the worn wheel with a new one. Mount the new wheel and the nut on the wheel axle.
- Lock the new wheel by tightening the nut clockwise.

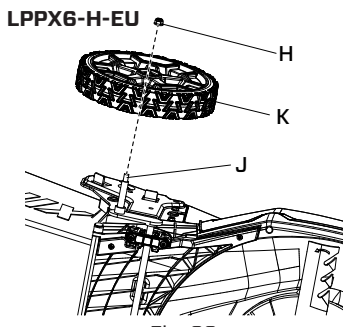


Fig. 22

H	Nut
I	Front wheel
J	Wheel axle
K	Rear wheel
L	Drive gear
M	Screw

SHARPENING THE BLADE



WARNING!

Always protect your hands by wearing heavy gloves or wrapping the cutting edges with rags or other materials when performing any maintenance on the mower blade. Always remove the battery pack when servicing or transporting the mower.



WARNING!

A worn, cracked, or damaged blade can break and pieces of the damaged blade can become dangerous projectiles. Thrown objects can cause serious injury. Inspect the blade regularly and do not operate the mower with a worn or damaged blade.



NOTE:

Keep the blade sharp for best mower performance. A dull blade does not cut grass cleanly or mulch properly.

To remove the blade follow the “REPLACING THE BLADE” section in this manual.

A dull blade can be sharpened, but a blade that is excessively worn, bent, cracked, or otherwise damaged must be replaced. A worn or damaged blade can break, causing blade pieces to be thrown from the mower.

Sharpening frequency:

Sharpening the blade twice during a mowing season is usually sufficient under normal circumstances. Sand causes the blade to dull quickly; if your lawn has sandy soil, more frequent sharpening may be required.

When sharpening the blade:

- Make sure that the blade remains balanced.
- Sharpen the blade at the original cutting angle.
- Sharpen the cutting edges on both ends of the blade, removing an equal amount of material from each end.

TO SHARPEN A BLADE IN A VISE

1. Remove the blade from the mower (please see the “REPLACING THE BLADE” section).
2. Secure the blade in a vise.
3. Wear proper eye protection and gloves

- and be careful not to cut yourself.
- Carefully file the cutting edges of the blade with a fine tooth file or sharpening stone, maintaining the original cutting edge angle.
 - To check the blade balance: clamp a nail or a screw driver with a round shank in the horizontal position. Position the blade so that the nail or round shank of the screwdriver supports the blade through its center hole. Balance the blade horizontally. If either end of the blade rotates downward, remove some metal from the heavy or lower end until the blade is balanced. It is balanced when neither end drops. See figure 23.
 - Replace the blade on the mower and tighten it securely (please see the “REPLACING THE BLADE” section).

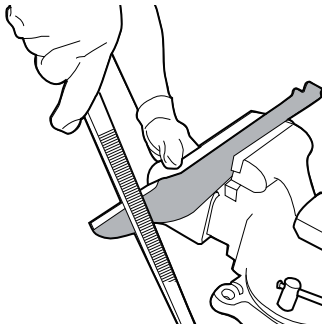


Fig. 23

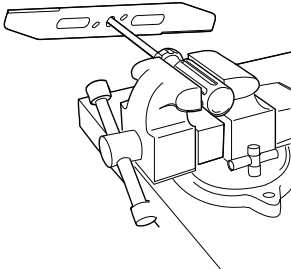


Fig. 24



WARNING!

An unbalanced blade will cause excessive vibration when rotating at high speeds. It may cause damage to the mower and could break, causing personal injury.

LIFETIME LUBRICATION

Lubrication is not necessary and may damage the product. The lawn mower is lubricated for lifetime use at the factory before shipment.

CLEANING

- Switch the product off, pull out the battery pack from the product.
- Use a small brush to clean the outside of the product. Do not use strong detergents. Household cleaners that contain aromatic oils such as pine and lemon, and solvents such as kerosene, can damage plastic. Wipe off any moisture with a soft cloth.
- The underside of mower deck should be cleaned after each use, as grass clippings, leaves, dirt, and other debris will accumulate. This accumulation is undesirable; it will promote rust and corrosion.
- Inspect the product before and after each use for worn and damaged parts. Do not operate it if you find worn and damaged parts.



NOTE:

If the cutting blade is blocked by foreign objects during the operating, stop the product, wait for the cutting blade stops entirely, remove the foreign objects and clean the cutting blade.

STORAGE

- Remove the battery pack from the mower and store it at room temperature in a dry location.
- Empty the grass bag before storage.
- Clean the mower as described earlier.
- Inspect the blade and replace it or sharpen it if required.
- Store the mower in a dry, clean location. Do not store it next to corrosive materials, such as fertilizer or rock salt.
- Store the mower in a covered and enclosed space that is cool and dry and out of the reach of pets and children.
- Do not cover the lawn mower with a solid plastic sheet. Plastic coverings trap moisture around the mower, which causes rust and corrosion.

The handle can be folded away completely

for storage:

1. Remove the grass bag/mulching insert/side discharge chute.
2. Move the cutting-height adjustment toward the front and engage it in the lowest setting (setting 1).
3. Press and hold the handle folding trigger and gently pivot the handle toward the front of the mower until you hear and feel the lock pin engage in the locked storage position.
4. Store the mower upright or flat.

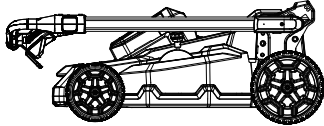


Fig. 25

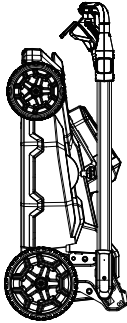


Fig. 26



WARNING!

If the mower tips over from the upright position, mower damage or personal injury may result. Always keep the mower stable and out of the reach of children when it is in the upright position. If possible, lay it flat for storage.

TRANSPORTATION

- Clean the product as described above.
- Make sure the handle is folded away completely.
- Always carry the product by its handle.
- Stop the cutting blades if the machine has to be tilted for transportation when crossing surfaces other than grass and when transporting the machine to and from the area to be used.
- Protect the product from any heavy impact or strong vibrations which may occur

during transportation in vehicles.

- Secure the product to prevent it from slipping or falling over, damage or injury.

DISPOSAL

Waste product should not be disposed of with household waste. Please recycle where facilities exist. Check with your local authority or retailer for recycling advice. Users should clean up dust generated during operation to protect environment.



Electrical products should not be discarded with household products. Used electrical products must be collected separately and disposed of at collection points provided for this purpose. Talk with your local authorities or dealer for advice on recycling.

TROUBLESHOOTING

Suspected malfunctions are often due to causes that the users can fix themselves. Therefore, check the product using this section. In most cases the problem can be solved quickly. Please remove the battery pack before any maintenance is performed.

PROBLEM	POSSIBLE CAUSE	SOLUTION
The mower fails to start.	The battery pack is depleted.	Charge the battery pack.
	The battery pack is not mounted in place in the battery compartment..	Reattach the battery pack to the mower; press it until you hear a click.
	The battery pack or mower circuitry is too hot.	Allow the battery pack or mower to cool down.
	The mower deck is clogged with grass and debris.	Clean the mower deck and make certain that the blade has freedom of movement.
The mower cuts unevenly.	The blade is dull.	Sharpen or replace the blade.
	The grass-cutting height is not set properly.	Move the deck height to a higher setting.
	The blade is assembled incorrectly.	Clean the mower deck and make certain that the blade has freedom of movement.
Unsatisfactory result.	Damaged or worn blade.	Replace the blade.
Short running time of the mower with included battery.	Grass conditions and cutting height setting will greatly affect the battery run time. The claimed run time is based on specific load conditions.	Raise the blade height and slow your pace to reduce the cutting load.
The mower does not mulch properly	Wet grass clippings are sticking to the underside of the deck.	Wait until the grass dries before mowing.
	The mower is set to cut too much grass at once.	Raise the deck to a higher cutting-height setting.

The mower stops while mowing	The battery pack is depleted.	Charge the battery pack.
	Mower is in overload condition.	Raise the cutting height or slow down the mowing.
	Mower deck is clogged with grass and debris.	Unclog the mower deck. Raise the cutting height and/or cut a narrower swath.
	The battery pack or mower circuitry is too hot.	Allow the battery pack or mower to cool down.
There is excessive vibration	The cutting blade is loose.	Tighten the blade bolt.
	The cutting blade set is unbalanced.	Balance the blade set following the "SHARPENING THE BLADE".
	The cutting blade is bent.	Replace the blade.
	The motor shaft is bent.	Contact the service center.
	The mower is set to cut too much grass at once.	Raise the deck to a higher cutting-height setting.
Mower is difficult to pull back when the self-propel is turned off.	The wheels are temporarily locked.	Pull backward with force and then move the mower as desired.

If further assistance is required, take the unit to a qualified service dealer.

